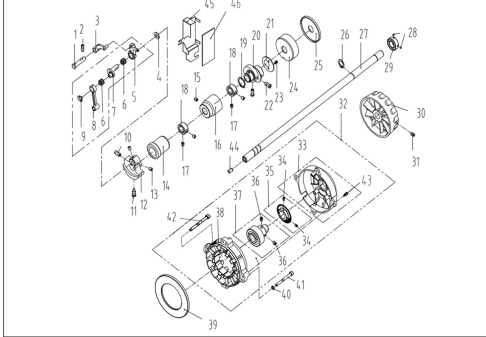


1. 机壳、外装部件/Machine Frame & Miscellaneous Cover Components

序号 NO	公司件号 Part NO	名称 PartName	零件描述 Description	数量 Number
1	101511001	螺钉SM3/16*28 L=9	Screw SM3/16*28 L=9	14
2	10103009	橡胶罩(罩壳)	Rubber plug	2
3	115037001	盖板	Head cap	2
4	115014003	面板	Face plate asm	1
5	13813005	左衬套	Thread guide nut	1
6	101511007	螺钉SM11/64*40 L=6	Screw SM11/64*40 L=6	1
7	115022002	面板	Face plate gasket	1
8	101511027	螺钉SM1/8*44 L=3.4	Screw SM1/8*44 L=3.4	1
9	113812019	面板衬套	Face of shield asm	1
10	11412002	面板衬套(塑料)	Face of shield asm (H)	1
10	11503002900	供电开关组件(三开关)	Three switch components	1
11	101511004	螺钉SM3/16*28 L=7	Screw SM3/16*28 L=7	3
12	101511026	螺钉SM5/64*28 L=9	Screw SM5/64*28 L=9	1
13	138128118	滚珠导轨护套	Thread take-up lever cover	1
14	10122004	杆状护套穿孔盖	Rubber plug	1
15	10122005	滚珠导轨穿孔盖	Rubber plug	1
16	12512004	压板	Face thread guide	1
17	114511015	螺钉SM5/64*40 L=6	Screw SM5/64*40 L=6	2
18	11413001	刀片	Knife	1
19	138555001	螺钉M3 L=12	Screw M3 L=12	2
20	13822001	橡胶衬套	Rubber plug	2
21	20720002	油圈	Rubber plug	1
22	131811004	尼龙衬套	Cable band	3
23	115022001	滚珠导轨衬套	Ball thread guide	1
24	1151412006	压板	Side plate	1
25	11503007300	一体机电控组件(25A)	Electronic control asm (25A)	1
26	11503006600	一体机电控组件(25B)	Electronic control asm (25B)	1
27	115112001	螺钉M4xMS L=30	Screw M4xMS L=30	2
28	W01009	垫圈	Washer	5
29	114530001	螺钉六角MS-M5	Screw MSx5	3
30	11453007400	一体机电控组件(25A)	Control panel (25A)	1
31	11453005000	一体机电控组件(25B)	Control panel (25B)	1
31	13850006	螺钉SM3/16*28 L=7	Screw SM3/16*28 L=7	1
32	13810008	小夹板螺母	Thread tension nut	1
33	13812006	压板	Thread tension guide plate	1
33	14112017	小夹板	Thread tension disk	2
34	11422001	小夹板弹簧	Thread tension spring	1
35	14515019	小夹板螺母	Thread tension nut	1
36	1411300400	小夹板螺母	Thread tension asm	1
37	1411300300	夹板螺母	Thread tension asm	1
37	1411300500	夹板螺母(塑料)	Thread tension asm (H)	1
38	14515013	夹板螺母	Thread tension nut	1
39	10121007	夹板螺母	Thread rotating stopper	1
40	10127002	夹板螺母	Thread tension spring A	1
41	14112016	夹板螺母	Thread tension spring A (H)	1
42	14112015	夹板螺母	Thread tension disk	2
43	14515001	夹板螺母	Thread tension post	1
44	10127001	夹板螺母	Thread take-up spring	1
45	10127011	夹板螺母(塑料)	Thread take-up spring (H)	1
46	10103011	滚珠导轨衬套	Thread tension base	1
47	10122014	滚珠导轨衬套(塑料)	Roller ring	1
47	101515005	螺钉SM3/64*40 L=5.5	Screw SM3/64*40 L=5.5	1
48	113360012	松柱	Tension release pin	1
48	10126002	松柱(塑料)	Tension release pin (H)	1
49	205140007	螺钉M4 L=6	Screw M4 L=6	1
50	10153002000	电子控制组件(电机)	Machine head stud	2
51	101512001	固定夹柱	Machine head stud	4
52	10151019	螺钉SM3/32*56 L=2	Screw SM3/32*56 L=2	2
53	10127009	垫圈	Slide plate spring	1
54	10115002	螺母	Needle plate	1
55	13815011	衬套	Needle plate	1
56	11315001	衬套(塑料)	Needle plate (H)	1
57	10151002	衬套	Needle plate (H)	1
57	13812019	限位块	Ruler stop seat	1
58	101511002	螺钉SM11/64*40 L=5.5	Screw SM11/64*40 L=5.5	1
59	11413011	螺钉SM11/64*40 L=5.5	Screw SM11/64*40 L=5.5	1
60	401516001	螺母SM5/64*40	Nut SM5/64*40	1
61	10151010	螺钉SM15/64*28 L=10.5	Screw SM15/64*28 L=10.5	1
62	10113004	螺母SM5/64*40	Nut SM5/64*40	1
63	101511007	螺钉SM11/64*40 L=6	Screw SM11/64*40 L=6	1
64	10121210	橡胶圈(垫圈)	Rubber plug	1
65	10122007	孔盖	Rubber plug	1

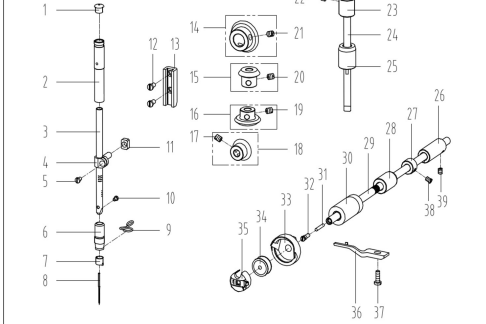
2



2. 上轴、换线部件/Main Shaft & Thread Take-up Components

序号 NO	公司件号 Part NO	名称 PartName	零件描述 Description	数量 Number
1	11326013	换线杆	Thread take-up connecting rod pin	1
1	10126001	换线杆衬套(H-M)	Thread take-up connecting rod pin (H-M)	1
2	101515001	螺钉SM15/64*28 L=1.5	Screw SM15/64*28 L=1.5	1
3	11305010	换线杆	Thread take-up connecting rod	1
3	10150501	换线杆衬套	Thread take-up connecting rod (H)	1
4	10112003	换线杆衬套	Thread take-up lever asm	1
5	113800200	换线杆衬套(塑料)	Thread take-up lever asm (H)	1
6	10124001	换线杆衬套	Needle bearing	2
7	11310012	换线杆衬套	Thread take-up crank (H)	1
7	10110040	换线杆衬套(H-M)	Thread take-up crank (H-M)	1
8	10150502	衬套	Needle bar connecting rod	1
9	101517001	螺钉SM5/64*40 (左手)	Screw SM5/64*40 (left hand) L=4.8	1
10	101515004	滚珠螺母SM9/22*28 L=16	Screw SM9/22*28 L=16	1
11	101511003	滚珠螺母SM9/22*28 L=16	Screw SM9/22*28 L=16	1
12	11440035	滚珠螺母(塑料)	Needle bar crank (H)	1
13	11403100	滚珠螺母(H-M)	Needle bar crank (H-M)	1
14	114000200	滚珠螺母(H-M)	Needle bar crank (H-M)	1
15	10151002	滚珠螺母SM4/40 L=6	Screw SM4/40 L=6	2
16	114000200	滚珠螺母(H-M)	Main shaft bushing front	1
17	101515006	螺钉SM15/64*28 L=7	Screw SM15/64*28 L=7	1
18	12203002	主轴衬套	Main shaft bushing mid	1
19	10154001	滚珠螺母SM1/4*40 L=6	Main shaft bushing front	2
20	10108001	上轴螺母	Main shaft thrust collar	2
21	1940002	垫圈	Snap ring 20	2
22	11310014	送料衬套	Feed eccentric cam	1
23	400011	送料衬套(塑料)	Feed eccentric cam (H)	1
24	400006	送料衬套(H-M)	Feed eccentric cam (H-M)	1
25	10112017	送料衬套	Lever plate	1
26	10812002	送料衬套(塑料)	Cover plate (H)	1
27	101511013	螺钉SM1/4*40 L=13	Screw SM1/4*40 L=13	2
28	10121015	上轴螺母	Oil seal	1
29	403001	G6/8/10/4-1.98的圈15	Snap ring 15	1
30	10202002	上轴	Main shaft	1
31	510103	G6/8/10-1.98的圈7M L=6	Snap ring M6 L=6	2
32	1020001	手轮	Motor dust jacket	1
33	510109	螺钉M6 L=8	Screw M6 L=8	2
34	115033002	电机	Motor	1
35	95111049	电机盖螺母	Motor cover asm	1
36	509002	螺母M3 L=4	Screw M3 L=4	2
37	95100116	电机盖螺母	Motor grating sensor asm	1
38	509119	螺母M4 L=6	Screw M4 L=6	2
39	95300005	电机转子	Motor rotor	1
40	95210016	电机绝缘罩	Motor insulation shield	1
41	W00258	G6/8/9-1.98的圈5	Spring washer 5	2
42	95151004	螺母M5 L=20	Washer	3
43	101513001	螺母M5 L=20	Washer	3
44	95151016	螺母M5 L=20	Washer	4
45	10122012	上轴螺母	Rubber plug	1
46	115012007	油圈	Oil shield	1
47	14123001	油圈(塑料)	Dil. shield	1

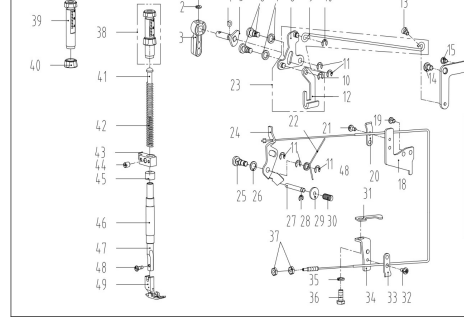
3



4. 针杆、变抽、下轴部件/Needle bar & Upright Shaft & Hook Driving Shaft Components

序号 NO	公司件号 Part NO	名称 PartName	零件描述 Description	数量 Number
1	10122013	针杆上衬套	Rubber plug	1
2	14103009	针杆上衬套	Needle bar bushing upper	1
3	10102004	针杆	Needle bar bushing upper (H)	1
4	11402031	针杆	Needle bar (H)	1
5	10138002	针杆连接柱	Needle bar connecting rod	1
5	101511005	螺钉SM9/64*40 L=6	Screw SM9/64*40 L=6	1
6	10103010	针杆衬套	Needle bar bushing lower	1
6	11303023	针杆下衬套(塑料)	Needle bar bushing lower (H)	1
7	10113002	针杆螺母	Needle bar thread guide	1
7	11412063	针杆螺母(塑料)	Needle bar thread guide (H)	1
8	10117001	针杆螺母	Needle thread Hx	1
9	10117002	针杆螺母#2(H)	Needle DP#5 #2(H)	1
9	10413001	针杆下衬套	Lower bushing thread guide	1
10	10113009	针杆下衬套(塑料)	Lower bushing thread guide (H)	1
10	104511006	螺钉SM11/64*40 L=4.5	Screw SM11/64*40 L=4.5	1
11	10109001	针杆连接柱	Slide block	1
12	101511008	螺钉SM11/64*40 L=8	Screw SM11/64*40 L=8	2
13	10109002	针杆连接柱	Needle bar guide	1
14	10425004	上轴衬套	Upper shaft bevel gear	1
15	10425003	上轴小齿轮	Upper small bevel gear asm	1
16	10425002	上轴大齿轮	Upper large bevel gear asm	1
17	101515014	螺钉SM1/4*40 L=7	Screw SM1/4*40 L=7	2
18	10425001	下轴衬套	Hook drive shaft bevel gear	1
19	10151014	螺钉SM1/4*40 L=7	Screw SM1/4*40 L=7	2
20	10151014	螺钉SM1/4*40 L=7	Screw SM1/4*40 L=7	2
21	10151014	螺钉SM1/4*40 L=7	Screw SM1/4*40 L=7	2
22	113511036	螺钉SM15/64*28 L=4.7	Screw SM15/64*28 L=4.7	1
23	10403002	轴衬套	Upright shaft bushing upper	1
24	10102007	轴衬套	Upright shaft bushing lower	1
25	10403013	轴衬套	Upright shaft bushing lower	1
26	10403019	轴衬套	Hook driving shaft bushing back	1
27	10108002	轴衬套	Hook driving shaft snap ring	1
28	11303021	轴衬套	Lower shaft middle bushing	1
29	13802303	轴衬套	Hook driving shaft	1
29	11304003	轴衬套(塑料)	Hook driving shaft (H)	1
30	13801320	轴衬套	Hook driving shaft bushing front	1
31	11303001	轴衬套(塑料)	Hook driving shaft bushing front (H)	1
31	13823001	轴衬套	Oil wick	1
32	101530005	轴衬套	Oil wick	1
33	11418004	轴衬套	Hook asm (H/ase)	1
34	10118003	轴衬套	Bobbin	1
35	10818001	轴衬套	Bobbin L-L	1
36	11218004	轴衬套	Bobbin case asm	1
37	95610001	轴衬套	Bobbin case asm (L)	1
38	10112016	轴衬套	Finger postioner	1
39	10112032	轴衬套	Finger postioner (H)	1
40	101511005	螺钉SM11/64*40 L=13	Screw SM11/64*40 L=13	1
41	10151012	螺钉SM11/64*40 L=4.8	Screw SM11/64*40 L=4.8	2
42	113512000	螺钉SM11/64*40 L=6	Screw SM11/64*40 L=6	1

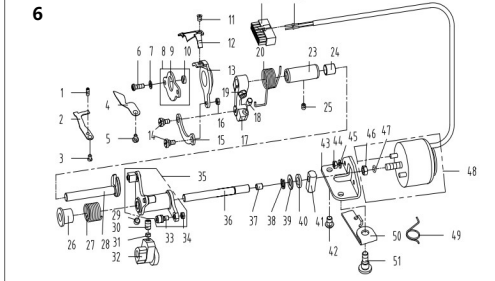
4



4. 压料、自动抬压脚部件/Presser Bar & Auto Lifter Components (1)

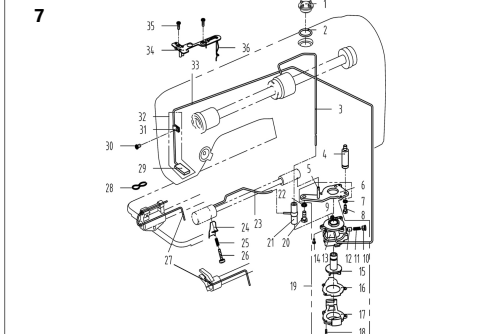
序号 NO	公司件号 Part NO	名称 PartName	零件描述 Description	数量 Number
1	101511011	螺钉SM9/64*40 L=11	Screw SM9/64*40 L=11	1
2	10128002	压脚衬套	Washer	1
3	13811029	压脚衬套	Hevel lifter	1
4	0310004	橡胶圈	Rubber ring	1
5	101002000	压脚衬套	Hevel lifter cam asm	1
6	101520001	压脚衬套	Hevel lifter cam	1
7	10128015	压脚衬套	Washer	1
8	1011201100	压脚衬套	Lift front lever component	1
9	10112013	压脚衬套	Knee lifter pul rod	1
10	10151005	压脚衬套	Screw ring 5	2
11	11320005	压脚衬套	Snap ring 5	5
12	10112010	压脚衬套	Lifting plate	1
13	101520004	压脚衬套	Hinge screw SM15/64*28	1
14	101520003	压脚衬套	Hinge screw SM15/64*28	1
15	14520003	压脚衬套	Hinge screw SM15/64*28	1
16	11412002	压脚衬套	Knive lifter back lever	1
17	115412001	压脚衬套	Knive lifter connecting rod	1
18	11312009	压脚衬套	Wire release bracket upper	1
19	101511004	压脚衬套	Wire release press plate	1
20	11427008	压脚衬套	Reset spring	1
21	10120010	压脚衬套	Knive lifter lever asm	1
22	101260000	压脚衬套	Wire release plate asm	1
23	101520002	压脚衬套	Wire release plate asm	1
26	10128015	压脚衬套	Thread release supporting pin	1
27	10126003	压脚衬套	Thread release supporting pin	1
28	101511004	压脚衬套	Washer	4
29	10128001	压脚衬套	Washer	1
30	10127003	压脚衬套	Spring	1
31	10123002	压脚衬套	Wire press plate	1
32	113511004	压脚衬套	Screw M4 L=8	1
33	11312008	压脚衬套	Wire presser	1
34	11312001	压脚衬套	Wire release bracket lower	1
35	W02004	压脚衬套	Washer	1
36	116630003	压脚衬套	Screw SM15/64*28 L=14.5	1
37	113512001	压脚衬套	Nut SM15/64*28	2
38	113101800	压脚衬套	Pressure regulating screw nut asm	1
39	113850003	压脚衬套	Pressure regulating screw (H)	1
40	1138516005	压脚衬套	Pressure regulating nut (H)	1
41	10102003	压脚衬套	Pressure regulating guide bar	1
42	10127010	压脚衬套	Pressure regulating spring	1
42	10127024	压脚衬套(塑料)	Pressure regulating spring (H)	1

4. 压料



6. 切线装置部件/Thread Trimmer Components

序号NO	公司件号	Part NO	名称	零件描述	Description	数量	Number
1	113515002	螺钉SM11/8*44 L=9.5	螺钉	Screw SM11/8*44 L=9.5		1	
2	115019001	定刀	Secant knife			1	
3	113517001	螺钉SM9/64*40 L=6	螺钉	Screw SM9/64*40 L=6		1	
4	11312003	护罩	Needle guard patch			1	
5	201511009	螺钉SM9/64*40 L=5.5	螺钉	Screw SM9/64*40 L=5.5		1	
6	113511001	螺钉SM11/64*40 L=12	螺钉	Screw SM11/64*40 L=12		2	
7	10128003	牙床螺母打垫圈	Washer			2	
8	138120100	刀架压板	Knife bracket press component			1	
9	13812031	刀架压板	Knife bracket press			1	
10	13803012	短套	Short bushing			2	
11	113517002	螺钉SM11/64*40 L=4.4	螺钉	Screw SM11/64*40 L=4.4		2	
12	114119002	活动刀	Motorsial knife			1	
13	11307001	刀架刀架	Knife bracket			1	
14	113520001	螺钉SM11/64*40 L=6.5	螺钉	Screw SM11/64*40 L=6.5		2	
15	11312005	套轴	Connecting rod			1	
16	114516004	螺母SM11/64*40	Nut SM11/64*40			1	
17	11304001	曲柄	Crank			1	
18	113620014	驱动轴防止块	Crank driver stopper block			1	
19	592004	螺母M4 L=14	Screw M4 L=14			1	
20	11327001	弹簧	Spring			1	
21	11230004	14孔橡胶垫	Plug			1	
22	11230005	橡胶垫	Pin			1	
23	11303003	切线轴衬套	Thread cutting shaft bushing			1	
24	11503005	驱动轴衬套	Crank drive shaft bushing			1	
25	113514002	螺钉SM11/64*40 L=6	螺钉	Screw SM11/64*40 L=6		1	
26	11322002	切线轴盖	Spring cover			1	
27	11327002	弹簧	Spring			1	
28	11304002	切线轴衬套	Crank shaft			1	
29	10154001	螺钉SM1/4*40 L=6	螺钉	Screw SM1/4*40 L=6		1	
30	116514005	螺钉SM1/4*40 L=10	螺钉	Screw SM1/4*40 L=10		2	
31	11309030	凸轮滚柱	Push rod			2	
32	11310011	凸轮 (零件)	Cam (H)			1	
33	11324001	滚柱	Rolling pin			1	
34	1138N516007	螺母SM11/64*40	Nut SM11/64*40			1	
35	113040500	切线轴驱动轴	Thread trimmer drive asm			1	
36	11302002	轴	Shaft			1	
37	11322001	驱动轴防止块	Positioning block			1	
38	H05013	GB/T896-1986垫圈6	Snap ring 6			1	
39	10112003	杆轴保护罩	Curter weight protecting			1	
40	11222003	橡胶垫缓冲垫	Solenoid cushion rubber			1	
41	11305001	切线轴衬套	Solenoid pin			1	
42	10151026	螺钉SM15/64*28 L=9	螺钉	Screw SM15/64*28 L=9		1	
43	11312006	切线轴支架	Solenoid bracket			1	
44	H05014	螺母M4	Nut M4			2	
45	W02018	GB/T93-1987弹垫圈4	Washer 4			2	
46	112516006	螺母SM1/4*40	Nut SM1/4*40			1	
47	11382005	垫圈	Washer			1	
48	102300100	步进电机铁芯	Thread trimmer solenoid asm.			1	
49	11327003	弹簧	Spring			1	
50	11312007	松绳垫	Thread release bed			1	
51	113520002	螺钉SM1/4*28 L=13	螺钉	Screw SM1/4*28 L=13		1	

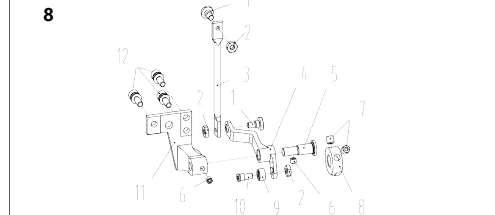


7. 润滑油部件/Oil Lubrication Components(1)

序号NO	公司件号	Part NO	名称	零件描述	Description	数量	Number
1	10111004	油窗	Oil sight window			1	
2	10122019	橡胶O型圈	Rubber ring			1	
3	14121001	上轴衬套	Main shaft oil tube			1	
4	101530008	油泵连接螺栓	Oil pump connecting stud			1	
5	10121001	快拆盖	Hook oil tube			1	
6	10112000	油泵安装座	Oil pump installing base			1	
7	W03002	弹簧圈5	Spring washer 5			1	
8	201512001	螺钉SM11/64*40 L=10.5	螺钉	Screw SM11/64*40 L=10.5		1	
9	10120022	油杯底座	Oil pump impeller			1	
10	101530007	柱塞螺钉	Plunger screw			1	
11	10127013	柱塞圈	Plunger spring			1	
12	10122018	回油柱塞	Plunger			1	
13	10120001	油壶体	Oil amita			1	
14	SO4093	油杯螺钉M3 L=6	Screw M3 L=6			3	
15	10111003	油杯衬垫	Oil pump impeller			1	
16	10120021	油杯衬垫花圈	Oil pump impeller cover			1	
17	10111007	油盆盖	Lubricating oil pump cover			1	
18	101530006	螺钉ST2.9 L=10	Screw ST2.9 L=10			3	
19	1012000100	油杯分部件	Lubricating oil pump component			1	
20	116530003	螺钉SM15/64*28 L=14.5	螺钉	Screw SM15/64*28 L=14.5		1	

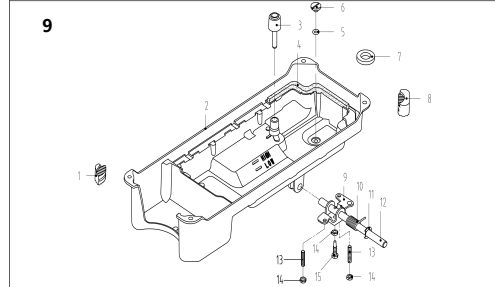
7. 润滑油部件/Oil Lubrication Components(2)

序号NO	公司件号	Part NO	名称	零件描述	Description	数量	Number
21	10136001	橡胶接头	Rubber joint			1	
22	W02004	GB/T93-1987弹垫圈M6	Spring washer M6			1	
23	13821303	下轴衬套	Hook oil tube			1	
24	11321002	下轴衬套(塑料)	Hook oil tube(w/Pl)			1	
24	11312001	油盆盖	Oil sheld cover(H)			1	
25	13827014	油盆盖调节螺钉	Spring			1	
26	113530001	螺钉SM11/64*40 L=19	螺钉	Screw SM11/64*40 L=19		1	
27	10423005	垫圈	Oil seal			1	
28	10127015	回油垫圈	Oil felt stamp			1	
29	10123006	回油毡	Oil felt felt			1	
30	101511004	螺钉SM3/16*28 L=7	螺钉	Screw SM3/16*28 L=7		1	
31	10113023	油盆盖类	Oil tube cap			1	
32	115021000	回油管组件	Oil return tube component			1	
33	115021002	回油管	Oil return tube			1	
34	10112025	油盆盖垫圈	Oil seal fixing paste			2	
35	101511010	螺钉SM5/64*40 L=11	螺钉	Screw SM5/64*40 L=11		1	
36	10123010	垫圈	Oil wick			1	



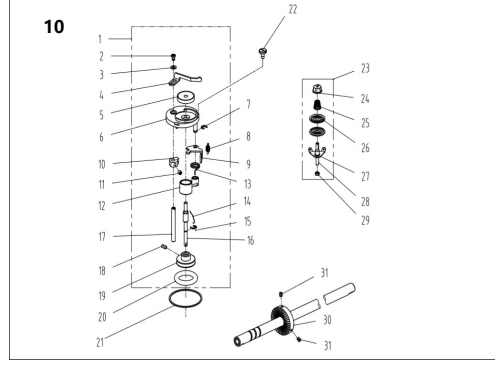
8. 步进电机压脚部件/Stepping Auto Lifter Components

序号NO	公司件号	Part NO	名称	零件描述	Description	数量	Number
1	1150N520001	胎压脚踏螺钉	Presser foot lifter screw			2	
2	116517005	滚珠螺母	Waller nut			3	
3	115412001	自动胎压脚踏升脚	Automatic presser foot lifter			1	
4	115404002	胎压脚踏驱动轴	Driving crank of presser foot			1	
5	115426002	胎压脚踏驱动销	Lifting presser foot to drive crank pin			1	
6	510014	螺钉M5 L=4	Screw M5 L=4			1	
7	110028	螺钉M5 L=6(进口)	Screw M5 L=6			1	
8	115410002	胎压脚踏凸轮	Presser foot cam			1	
9	13600002	滚轮	Roller			1	
10	116520003	滚轮螺钉	Roller screw			1	
11	115401001	胎压脚踏脚架	Presser bracket for presser foot lifting			1	
12	1150N513002	螺钉SM3/16*28 L=10	螺钉	Screw SM3/16*28 L=10		3	



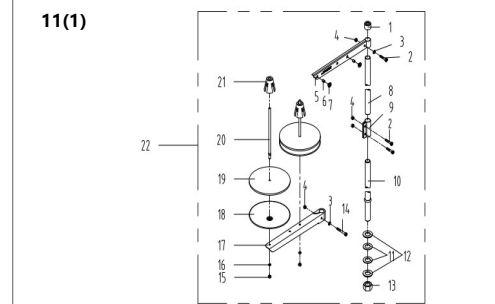
9. 油盘、膝抬压脚分部件/Oil Reservoir & Knee Lifter Components

序号NO	公司件号	Part NO	名称	零件描述	Description	数量	Number
1	10122022	油盘垫圈	Oil reservoir rubber cushion			2	
2	13801020	油盘	Oil Reservoir			1	
3	10111005	胎压脚踏杆	Knee lifter push rod			1	
4	10122020	油盘垫圈	Oil Reservoir gasket			1	
5	10122021	凸形圈	Rubber ring			1	
6	101511028	螺钉SM5/16*24 L=7	螺钉	Screw SM5/16*24 L=7		1	
7	10131001	油盘磁铁	Oil reservoir magnet			1	
8	10122023	油盘垫圈	Oil reservoir rubber cushion			2	
9	10112027	胎压脚踏双向曲柄	Knee lifter crank			1	
10	10127016	双向脚踏曲柄	Knee lifter spring			1	
11	H05010	GB/T896-1986垫圈9	Snap ring 9			1	
12	10100011	回油垫圈	Knee lifter shaft			1	
13	101515012	螺母M6 L=30	Nut M6 L=30			2	
14	101516004	螺母M6 L=4	Nut M6 L=4			3	
15	101512002	螺钉M6 L=26	Screw M6 L=26			1	



10. 线圈部件/Winding Components

序号NO	公司件号	Part NO	名称	零件描述	Description	数量	Number
1	138310300	线圈组件	Bobbin winder asm			1	
2	114511008	螺钉M4 L=6	Screw M4 L=6			1	
3	W01142	垫圈4	Washer 4			1	
4	10113008	压脚控制板	Thread press control plate			1	
5	10111120	线架衬垫	Winding pad			1	
6	13831101	线圈绕线架	Bobbin winder bed			1	
7	H05006	开口垫圈5	Snap ring 5			1	
8	10127061	弹簧	Spring			2	
9	13812110	调节板	Regulating plate			1	
10	10110030	线圈绕线架	Bobbin winder cam			1	
11	509045	螺钉M5 L=5	Screw M5 L=5			1	
12	138051000	线圈绕线架衬套	Bobbin winder connecting rod			1	
13	13827103	线圈绕线架盖	Spring			1	
14	10127060	弹簧	Spring			1	
15	GB/T 896-1986	开口垫圈4	Snap ring 4			1	
16	13802111	线圈绕线架轴	Bobbin winder main shaft			1	
17	13802026	线圈绕线架轴套	Bobbin winder cam shaft			1	
18	S09103	线圈绕线架M4 L=4	Screw M4 L=4			2	
19	13831102	线圈绕线架	Bobbin winder wheel			1	
20	0001110	O型圈	Ring			1	
21	11422002	密封垫	Washer			1	
22	114511003	螺钉SM3/16*28 L=10	螺钉	Screw SM3/16*28 L=10		3	
23	141530000	线圈绕线架	Bobbin thread tension arm			1	
24	141516019	尖线螺母	Thread tension nut			1	
25	11427006	小尖线螺母	Spring			1	
26	14120145	尖线螺母	Thread tension dos			2	
27	11413022	尖线螺母盖	Thread tension guide plate			1	
28	112513004	尖线螺钉	Screw			1	
29	114516001	螺母SM1/64*40	Nut SM1/64*40			1	
30	11450013	驱动轴衬套	Driver wheel			1	
31	510009	螺钉M5 L=8	Screw M5 L=8			2	



11. 机头附件(1)-线架组件/Machine Head Accessories (1)-Thread Stand Components

序号NO	公司件号	Part NO	名称	零件描述	Description	数量	Number
1	20131019	线架杆顶部防护垫	Spool rest rod rubber cap			1	
2	S04050	螺母M5 L=16	Screw M5 L=16			3	
3	W01047	垫圈M5	Washer M5			2	
4	N01034	螺母M5	Nut M5			4	
5	13831022	上线架过线杆	Spool rest arm upper			1	
6	10113011	过线圈(内)	Thread guide ring			2	
7	10130010	过线圈(外)	Thread guide ring			2	
8	13831019	线架杆上节	Spool rest rod upper			1	
9	13831021	线架杆接头	Spool rest rod joint			1	
10	13831020	线架杆下节	Spool rest rod lower			1	
11	10122106	橡胶垫圈	Spool rest rod rubber ring			2	
12	W01052	垫圈M16	Washer M16			2	
13	N02008	螺母 M16	Spool rest rod nut M16			1	
14	S04051	螺母M5 L=31.6	Spool rest arm lower screw M5 L=31.6			1	
15	N01034	螺母M5	Nut M5			2	
16	W03002	弹簧圈5	Spring washer 5			2	
17	13831023	下线架过线杆	Spool rest arm lower			1	
18	13831004	线架杆	Spool rest			1	
19	20131010	线架垫	Spool rest cushion			2	
20	20131006	线架钉	Spool pin			2	
21	13831025	线架杆衬套	Spool restainer			2	
22	1383100300	线架组件	Thread stand asm.			1	

