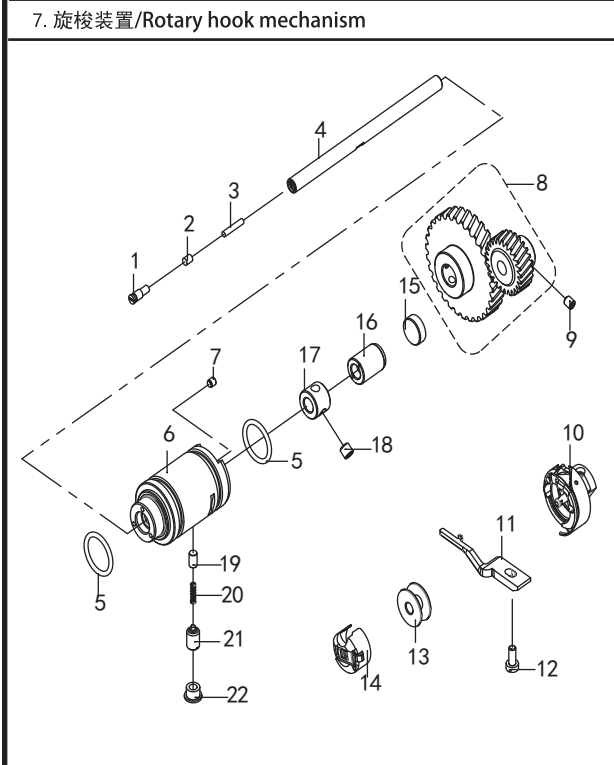
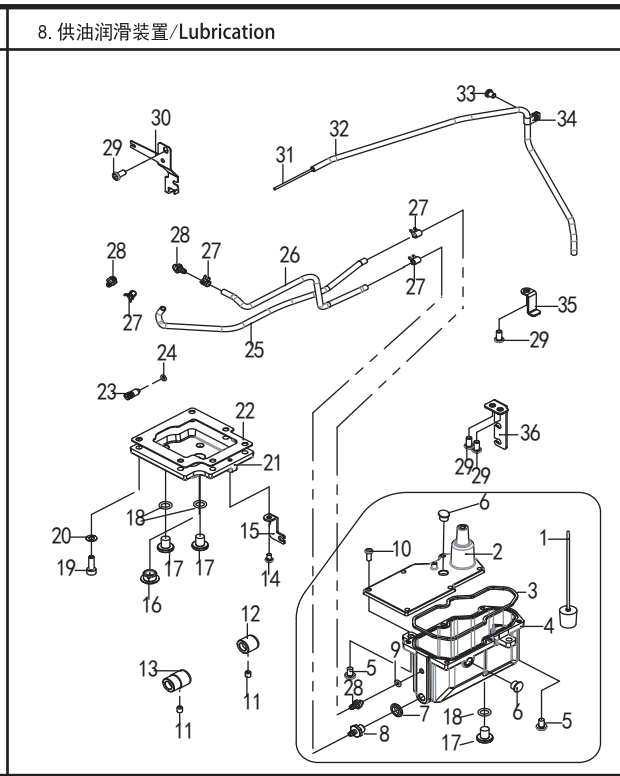


序号	图号	数量	名称	Name of parts
1	062401016	2	螺钉M4×10	Screw M4×10
2	169050301	1	膝提电路板罩	Knee lifter circuit board cover
3	169050801	1	膝控感应电路板	Induction circuit board
4	169033601	1	方形磁块	Square magnetic block
5	169053003	1	膝控摆杆	Knee swing lever
6	018401032	1	螺钉M4×10	Screw M4×10
7	115021401	2	垫圈8	Washer 8
8	169053002	1	膝控支架	Knee lifter support
9	169050501	1	膝控弹簧	Knee lifter spring
10	048070342	1	挡圈E7	Thrust collar E7
11	169053005	1	膝控铰链轴	Hinge axis
12	169053004	1	膝靠	Knee lifter

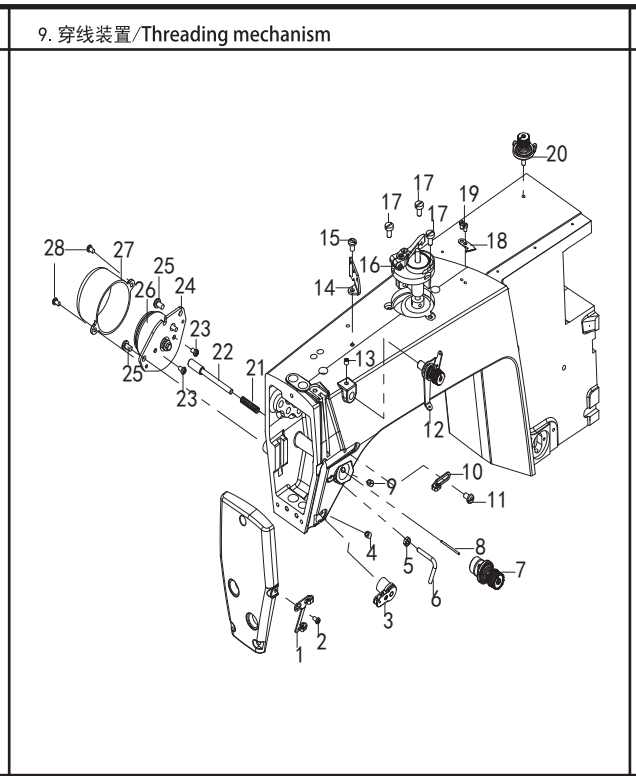


序号	图号	数量	名称	Name of parts
1	115071401	1	油盖螺钉	Oil cap screw
2	115073601	1	小油箱	Small oil tank
3	115071901	1	油芯	Oil wick
4	120010801	1	旋梭齿轮轴	Rotary hook gear shaft
5	115073301	2	O型圈	O-ring
6	180021701	1	泵轴套	Pump shaft sleeve
7	115022801	1	橡皮塞4·2	Rubber stopper 4·2
8	180021400	1	旋梭齿轮组件	Rotary hook gear assembly
9	012500632	1	螺钉M5X6	Screw M5X6
10+	115072301	1	旋梭组件	Rotary hook assembly
10+	115072302	1	旋梭组件H	Rotary hook assembly H
11+	115072201	1	旋梭定位钩	Rotary hook positioning hook
11+	115072202	1	旋梭定位钩H	Rotary hook positioning hook H
12	125042401	1	螺钉SM4.37-40X10	Screw SM4.37-40X10
13	115072401	1	梭芯	Bobbin
14	115072701	1	梭芯套组件	Bobbin set components
15	125013001	1	孔塞15.2	Hole plug 15.2
16	120010901	1	旋梭轴后套	Hook shaft back cover
17	115072001	1	紧圈	Tight circle
18	014770432	2	螺钉SM6.35-40x4	Screw SM6.35-40x4
19	115083001	1	柱塞	Plunger



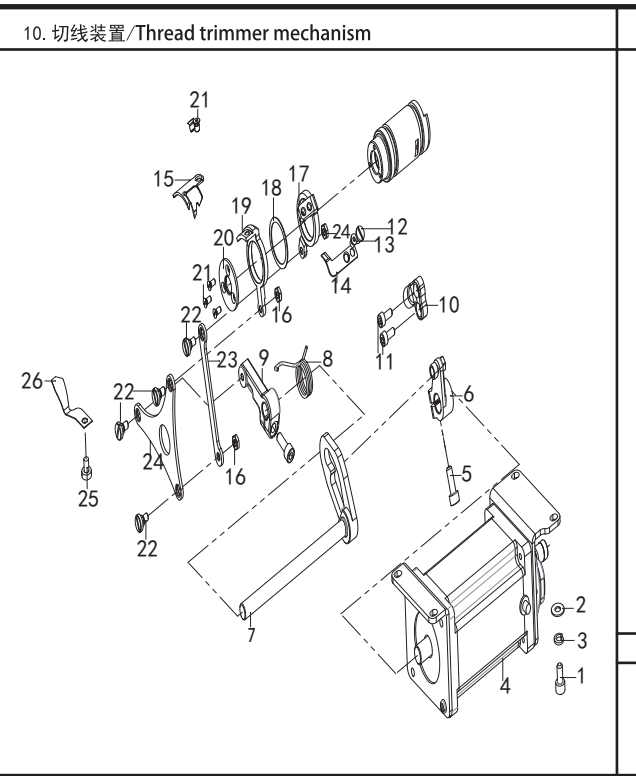
序号	图号	数量	名称	Name of parts
1	180085401	1	浮球组件	Float assembly
2	120011403	1	油盒盖	Oil box cover
3	120011801	1	油盒密封胶垫	Oil tank gasket
4	120011402	1	油盒	Oil box
5	062501216	2	螺钉M5x12	Screw M5x12
6	115011401	2	橡皮塞8.5	Rubber stopper 8.5
7	101100501	1	排油孔密封圈	Oil drain hole sealing ring
8	115080501	1	供油口	Oil supply port
9	081004070	1	O型圈7.2x1.8	O-ring 7.2x1.8
10	062401012	6	螺钉M4x10	Screw M4x10
11	014500632	2	螺钉M5x6	Screw M5x6
12	120011601	1	切线轴套L	Tangent shaft sleeve L
13	120011501	1	切线轴套R	Tangent shaft sleeve R
14	062400616	1	螺钉M4x6	Screw M4x6
15	120011301	1	油管夹	Tubing clamp
16	101011001	1	孔塞12.5	Hole plug 12.5
17	115080901	3	螺钉M8x12.5	Screw M8x12.5
18	115080801	3	O型圈P8	O-ring P8
19	018501636	6	螺钉M5x16	Screw M5x16
20	025050236	6	垫片5	Gasket 5
21	120011101	1	小油箱	Small oil box
22	120011201	1	小油箱垫片	Small oil box gasket
23	115081502	1	调节螺钉	Adjusting screw
24	081004870	1	O型圈S4	O-ring S4
25	5040202	1	尼龙油管3.2	Nylon tubing 3.2
26	5040202	1	尼龙油管3.2	Nylon tubing 3.2
27	115085501	4	油管夹	Tubing clamp
28	115080401	3	供油口	Oil supply port
29	062500832	4	螺钉M5x8	Screw M5x8
30	180021901	1	油线挂钩组件	Oil line hook assembly
31	115082401	1	油线	Oil line
32	5040202	1	尼龙油管3.2	Nylon tubing 3.2
33	101010901	1	螺钉SM4.76-28x6	Screw SM4.76-28x6
34	101090401	1	油管夹	Tubing clamp
35	120011701	1	电线压板	Wire pressure plate
36	120012001	1	油管支架	Tubing bracket

序号	图号	数量	名称	Name of parts
1	115071401	1	油盖螺钉	Oil cap screw
2	115073601	1	小油箱	Small oil tank
3	115071901	1	油芯	Oil wick
4	120010801	1	旋梭齿轮轴	Rotary hook gear shaft
5	115073301	2	O型圈	O-ring
6	180021701	1	泵轴套	Pump shaft sleeve
7	115022801	1	橡皮塞4·2	Rubber stopper 4·2
8	180021400	1	旋梭齿轮组件	Rotary hook gear assembly
9	012500632	1	螺钉M5X6	Screw M5X6
10+	115072301	1	旋梭组件	Rotary hook assembly
10+	115072302	1	旋梭组件H	Rotary hook assembly H
11+	115072201	1	旋梭定位钩	Rotary hook positioning hook
11+	115072202	1	旋梭定位钩H	Rotary hook positioning hook H
12	125042401	1	螺钉SM4.37-40X10	Screw SM4.37-40X10
13	115072401	1	梭芯	Bobbin
14	115072701	1	梭芯套组件	Bobbin set components
15	125013001	1	孔塞15.2	Hole plug 15.2
16	120010901	1	旋梭轴后套	Hook shaft back cover
17	115072001	1	紧圈	Tight circle
18	014770432	2	螺钉SM6.35-40x4	Screw SM6.35-40x4
19	115083001	1	柱塞	Plunger



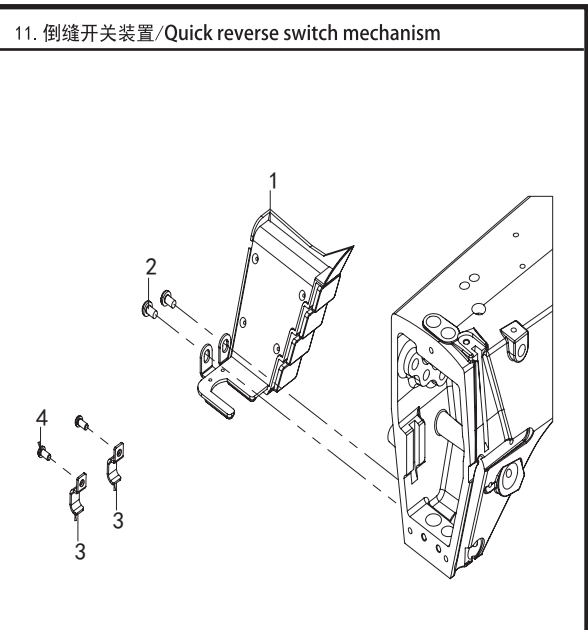
序号	图号	数量	名称	Name of parts
1	168071101	1	左线钩	Left hook
2	062400616	1	螺钉M4X6	Screw M4X6
3	103012201	1	电子夹线器	Electronic clamp
4	013760532	1	螺钉SM5.95-28x5	Screw SM5.95-28x5
5	115111601	1	螺母SM4.37-40	Nut SM4.37-40
6	101020502	1	换线调节钩	Change thread adjustment hook
7+	168072501	1	夹线器组件M	Thread clamp assembly M
7+	168072601	1	夹线器组件H	Thread clamp assembly H
8	169092601	1	松线销	Loose pin
9	101020401	1	螺钉SM5.95-28x7	Screw SM5.95-28x7
10	101020701	1	右线钩	Right hook
11	101020201	1	螺钉SM4.37-40X6	Screw SM4.37-40X6
12	168072201	1	调线夹线器组件	Thread adjuster assembly
13	101022201	1	螺钉SM4.76-28X6	Screw SM4.76-28X6
14	115090301	1	穿线板	Threading board
15	101010901	1	螺钉SM4.76-28X6	Screw SM4.76-28X6
16	101022501	1	绕线器组件	Winder assembly
17	101022601	3	螺钉MSX10	Screw MSX10
18	101022701	1	割线刀	Secant knife
19	101022801	2	螺钉SM3.57-40X6	Screw SM3.57-40X6
20	168072101	1	绕线器夹线组件	Winder wire clamping assembly
21	169122701	1	松线杆复位簧	Thread release lever reset spring
22	169122801	1	夹线轴	Spool
23	062400616	2	螺钉M4X6	Screw M4X6
24+	168070802	1	电磁铁安装板	Solenoid mounting plate
24+	180090101	1	电磁铁安装板N	Solenoid mounting plate N
25	062500816	2	螺钉MSX8	Screw MSX8
26	103010501	1	挺线电磁铁	Elevated electromagnet
27	169123001	1	电磁铁罩	Electromagnet cover
28	062400616	2	螺钉M4X6	Screw M4X6

序号	图号	数量	名称	Name of parts
20	115083301	1	弹簧	Spring
21	115083501	1	泵盖螺钉	Pump cover screws
22	115011001	1	橡皮塞8.5	Rubber stopper 8.5

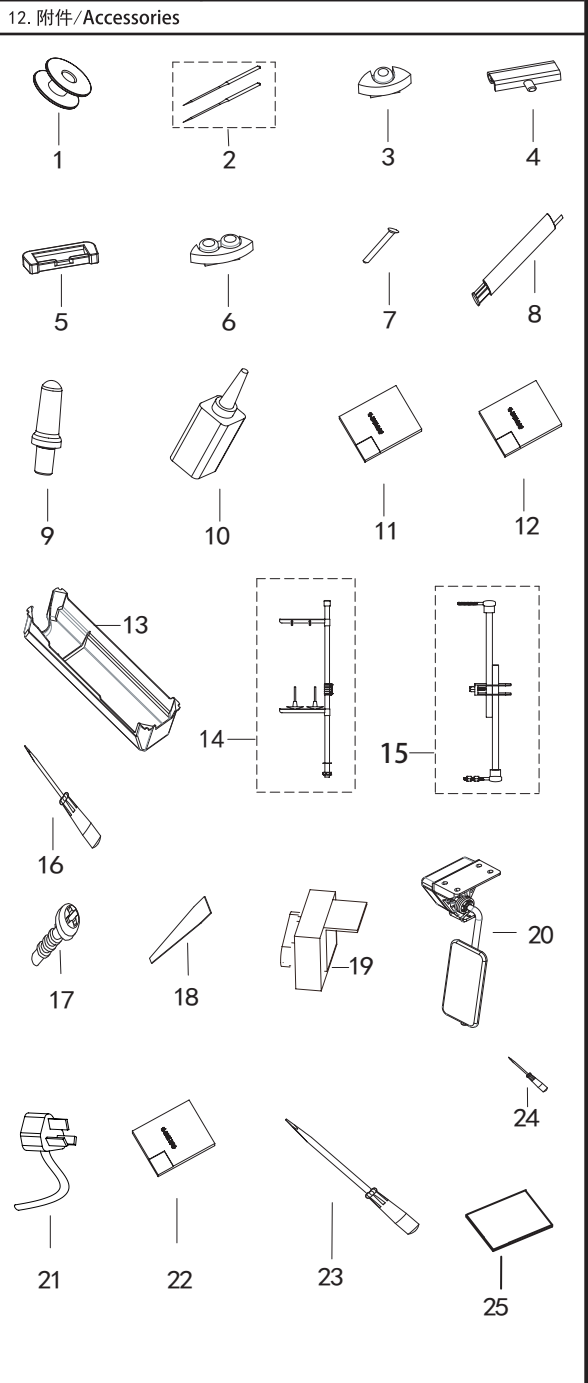


序号	图号	数量	名称	Name of parts
1	018501436	4	螺钉M5X14	Screw M5X14
2	025050132	4	平垫圈S5	Flat washer S5
3	028050246	4	弹簧垫T5	Spring pad T5
4	180110402	1	抬压步进电机	Stepper motor for lifting foot
5	018501436	1	螺钉M5X14	Screw M5X14
6	169110101	1	切线驱动曲柄组件	Tangent drive crank assembly
7	180110901	1	切线曲柄	Tangent crank
8	180112001	1	弹簧	Spring
9	180111101	1	切刀曲柄	Cutter crank
10	180111201	1	手杆定位板	Hand lever positioning plate
11	018401032	2	螺钉M4X10	Screw M4X10
12	125080501	1	螺钉SM4.37-40X6	Screw SM4.37-40X6
13	115111301	3	螺钉SM4.37	Screw SM4.37
14	125081401	1	上动刀	Upper moving knife
15	125081501	1	下动刀	Lower moving knife
16	021400306	3	螺母M4	Nut M4
17	125081601	1	上刀架	Upper tool holder
18	125081801	1	刀架垫片	Tool holder gasket
19	125081701	1	下刀架	Lower tool rest
20	125082501	1	动力压板	Moving knife pressure plate
21	125080401	3	压板螺钉M3X5	Pressure plate screw M3X5
22	125080601	4	轴位螺钉M4X6	Axial screw M4X6
23	180111701	1	刀架长连杆	Tool holder long connecting rod
24	180111001	1	刀轴连杆	Knife shaft connecting rod
25	115110701	1	螺钉SM4.37-40X6	Screw SM4.37-40X6
26	169111501	1	分线片	Splitter

序号	图号	数量	名称	Name of parts
1	115072401	3	梭芯	Bobbin
2+	115024112	4	机针DBX1-(#14)	Needle (DBX1) #14
3+	115024113	1	机针DPX5-(#20)	Needle (DPX5) #20
2	115150601	2	头部防震垫	Quakeproof washer
4	115150401	2	机头铰链板	Machine hinge plate
5	115150501	4	机头铰链套	Hinge sleeve head
6	115150801	2	头部防震垫R	Quakeproof washer R
7	5050111	4	钉	Nail
8	5030906	1	油脂注射器	Grease injector
9	169130901	1	机头撑杆	Head rest
10	115151001	1	中号油壶	Oil reservoir
11	6050211	1	零件手册	Parts book
12	6050111	1	使用说明书	Instruction book
13	169085001	1	油盒	Oil box
14	115151401	1	线架组件2DR	Thread stand asm 2DR
15	115151901	1	连杆组件	Connecting rod assy
16	115151701	12	螺丝刀(中)	Screw driver
17	152208101	3	木螺钉	Wood screws
18	5040104	1	尼龙扎带3X10	Nylon cable tie 3x10
19	115152001	1	调速器	Speed controller
20	169053001	1	电子膝靠总组件	Electronic knee rest power cable
21	125122801	1	电源线	Power cable
22	6050105	1	电控使用说明书	Electronic control manual
23	115151801	1	螺丝刀(大)	Screwdriver (large)
24	115151601	1	螺丝刀(小)	Screwdriver (small)
25	6040101	1	机头罩	Hood



序号	图号	数量	名称	Name of parts
1	180150101	1	LED倒缝开关组件	LED reverse seam switch asm
2	062500816	2	螺钉M5×8	Screw M5×8
3	115114801	2	电线夹U2	Wire clamp U2
4	062500816	2	螺钉M5×8	Screw M5×8



序号	图号	数量	名称	Name of parts
1	180150101	1	LED倒缝开关组件	LED reverse seam switch asm
2	062500816	2	螺钉M5×8	Screw M5×8
3	115114801	2	电线夹U2	Wire clamp U2
4	062500816	2	螺钉M5×8	Screw M5×8